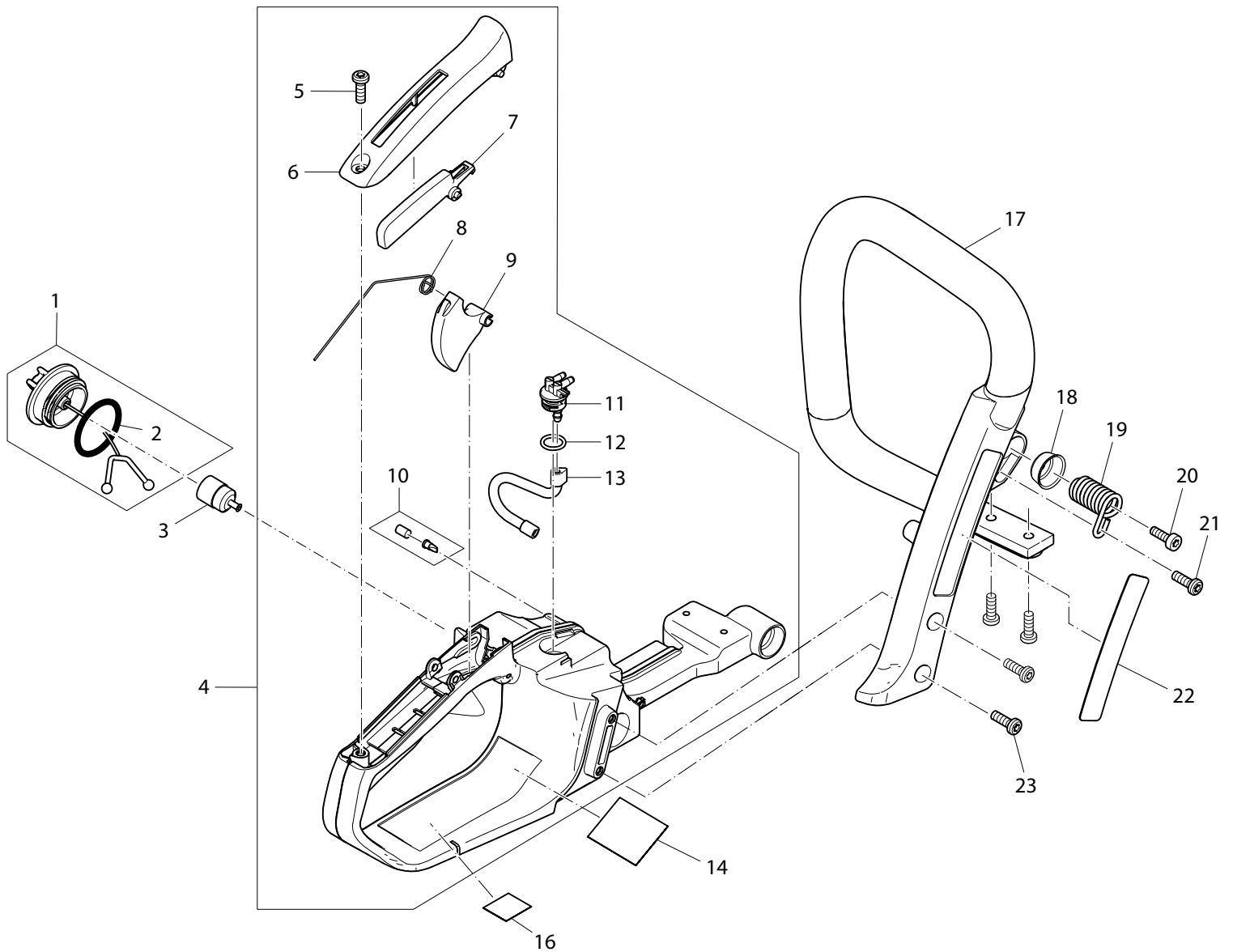
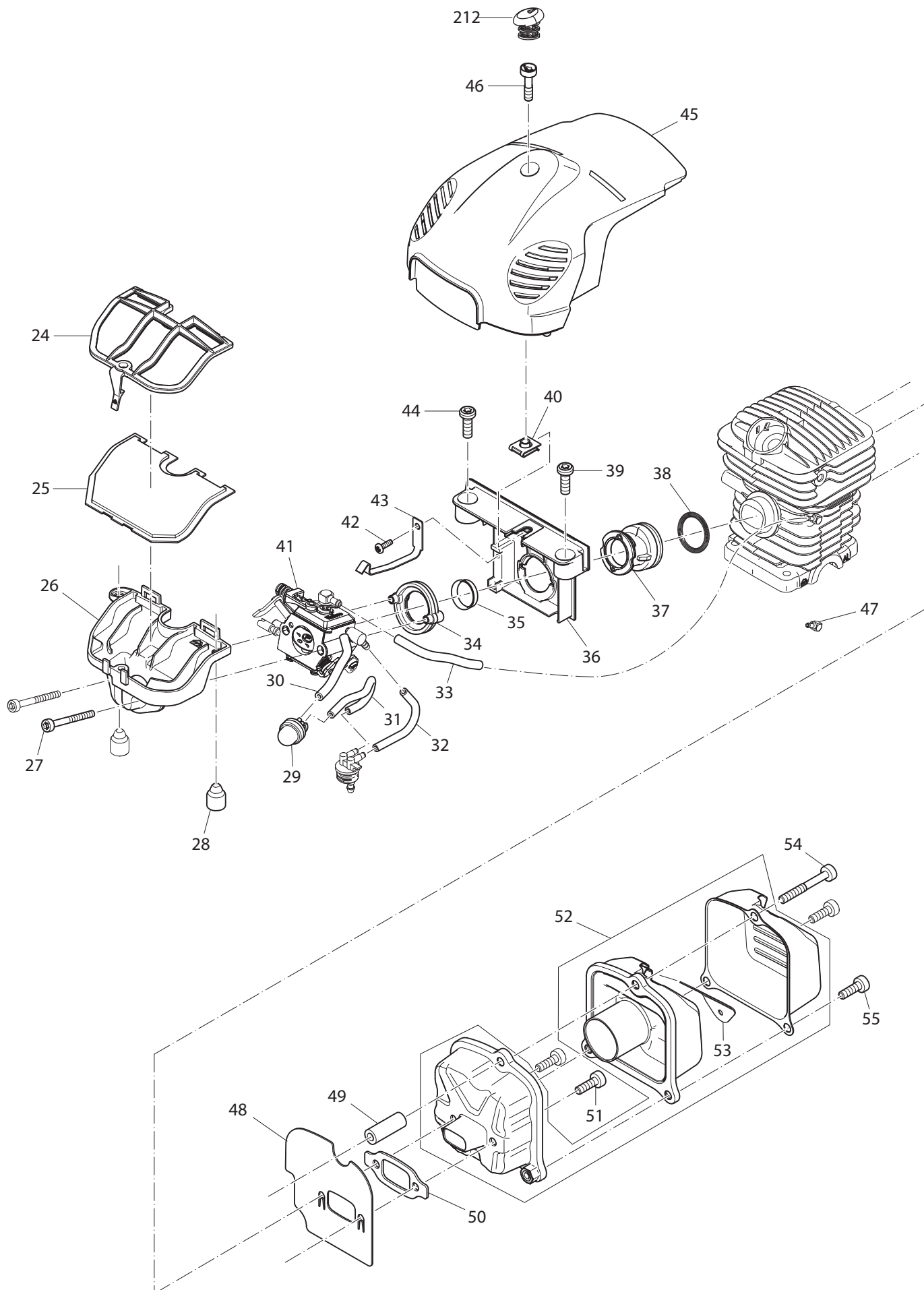


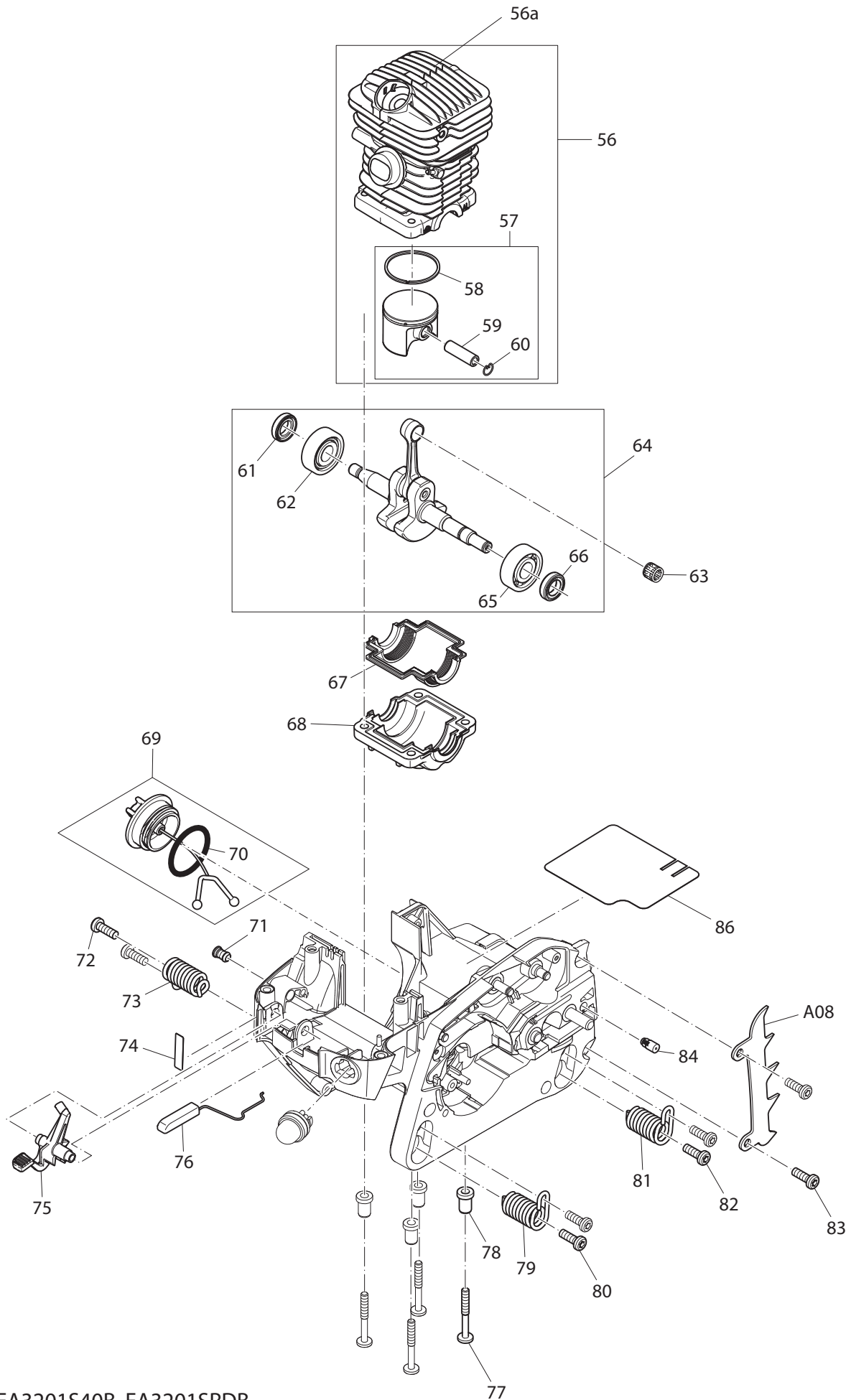


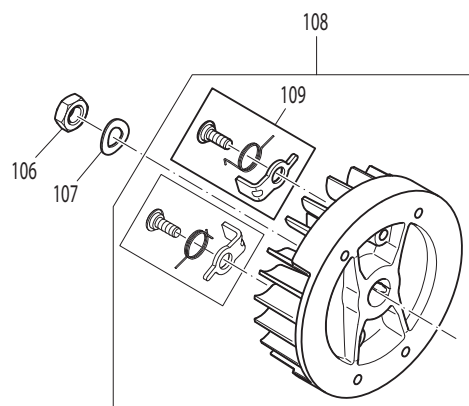
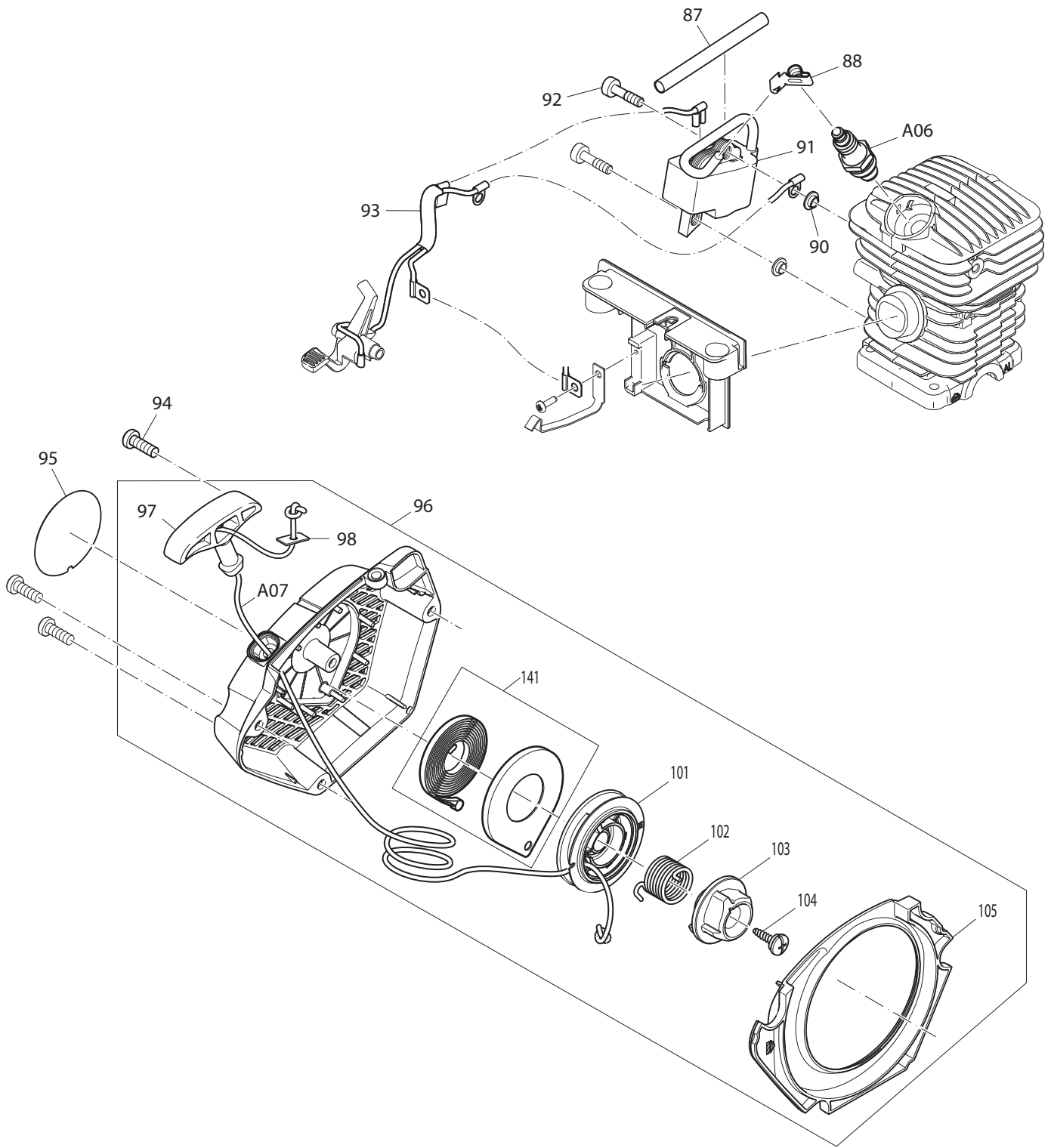
**EA3201SRDB**  
**32cc 2 Stroke Chainsaw 16" Bar, 3/8" 50G, Orange**

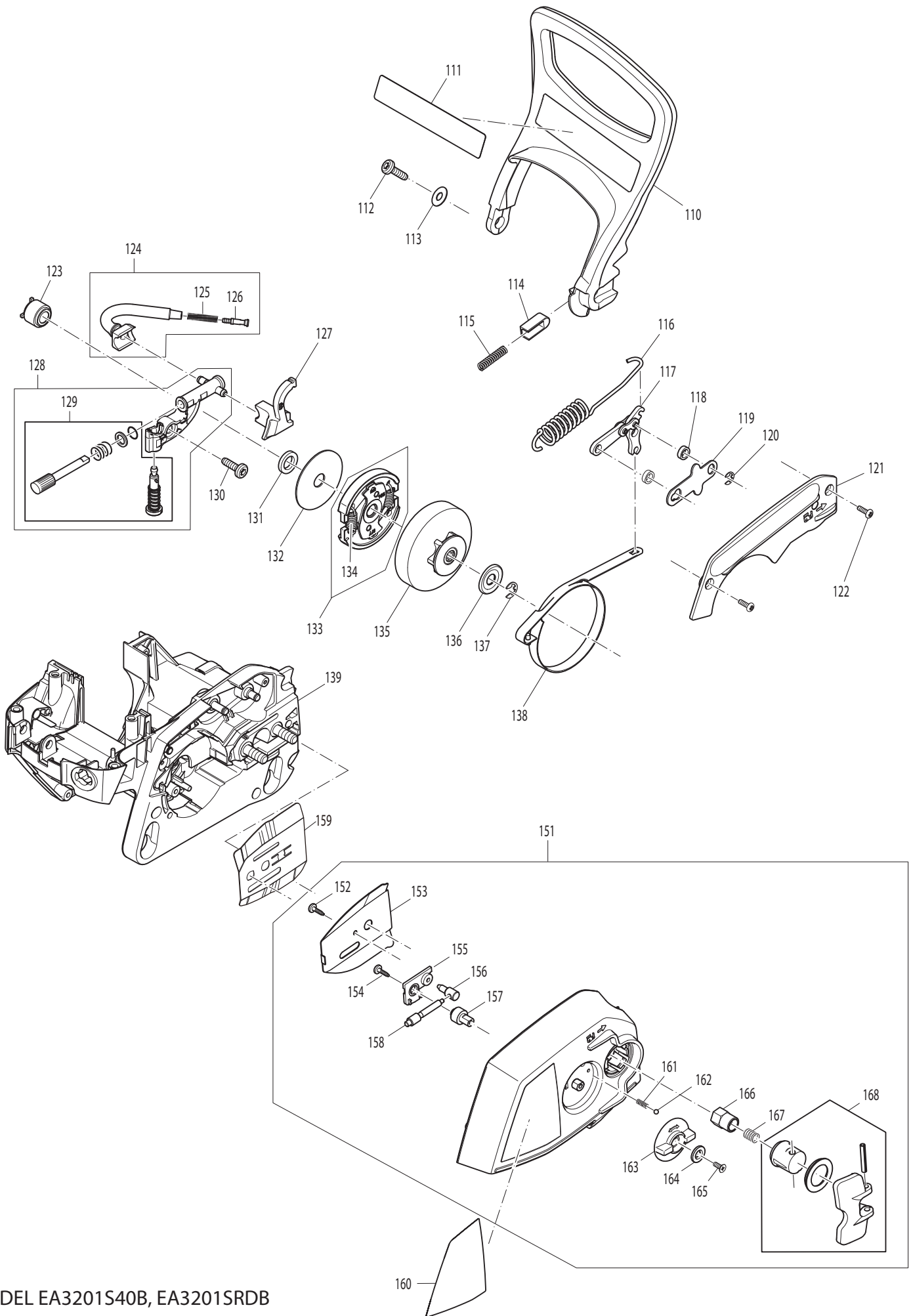




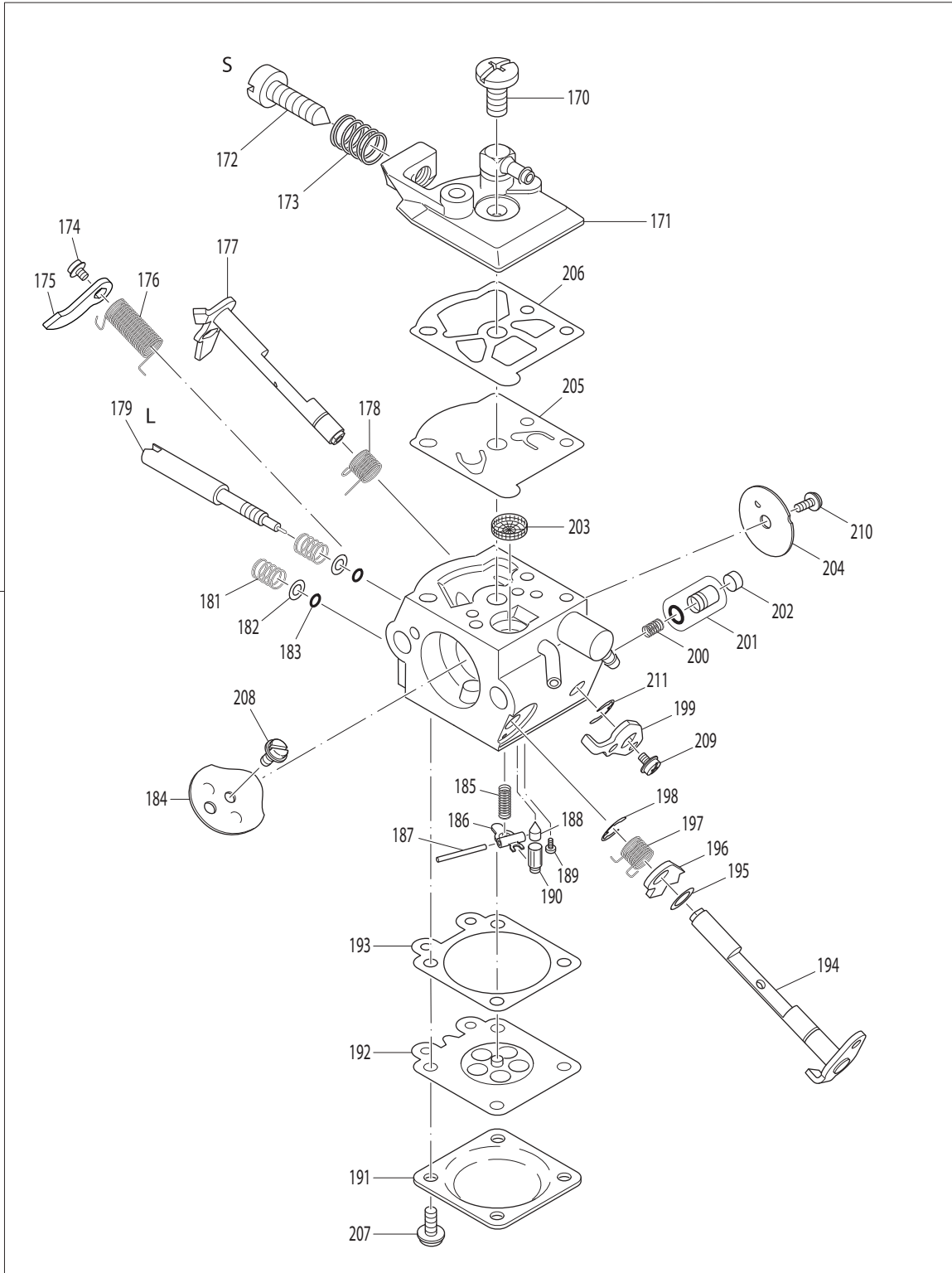
2 MODEL EA3201S40B, EA3201SRDB







41



Item No.	Type	Sub	Part No.	Description	Qty	Unit
001			168823-3	TANK CAP COMPLETE	1	PC.
		INC.		Item No. 2		
002			213080-9	O RING 29.5	1	PC.
003	2		163447-0	FUEL FILTER	1	PC.
004			195757-7	TANK ASSEMBLY A RED	1	PC.
		INC.		Item No. 5-13		
005			266651-1	TORX TAPPING SCREW 5.5X16	1	PC.
006			452021-2	GRIP SHELL	1	PC.
007			452020-4	CATCH LEVER	1	PC.
008			231866-9	TORSION SPRING 10	1	PC.
009			452019-9	THROTTLE LEVER	1	PC.
010			195762-4	AIR VALVE SET	1	PC.
011			452018-1	FUEL NIPPLE	1	PC.
012			213586-7	O RING 11.5	1	PC.
013			424456-7	FUEL LINE	1	PC.
014			869091-8	EA3201S NAME PLATE	1	PC.
016			892505-2	CAUTION LABEL	1	PC.
017			452036-9	TUBULAR HANDLE	1	PC.
018			346517-2	CUP WASHER 6	1	PC.
019			234189-4	COMPRESSION SPRING 12	1	PC.
020			266605-8	TORX SOCKET HEAD BOLT M5X16	1	PC.
021			266651-1	TORX TAPPING SCREW 5.5X16	1	PC.
022			891898-4	MAKITA LOGO LABEL	1	PC.
023			266651-1	TORX TAPPING SCREW 5.5X16	4	PC.
024			452031-9	AIR FILTER COVER	1	PC.
025			423414-0	AIR FILTER	1	PC.
026			452030-1	INTAKE MANIFOLD	1	PC.
027			266604-0	TORX SOCKET HEAD BOLT M4X40	2	PC.
028			424173-9	DAMPING PLUG	2	PC.
029			168398-2	PRIMER PUMP	1	PC.
030			422067-2	TUBE 2.5-55	1	PC.
031			422065-6	TUBE 2.5-112	1	PC.
032			422068-0	TUBE 3-70	1	PC.
033			422066-4	TUBE 2.5-72	1	PC.
034			318634-8	FLANGE RING	1	PC.
035			346413-4	BUSH 17	1	PC.
036			452024-6	INTERMEDIATE FLANGE	1	PC.
037			424340-6	INTAKE HOSE	1	PC.
038			233971-8	RING SPRING	1	PC.
039			266651-1	TORX TAPPING SCREW 5.5X16	1	PC.
040			264044-6	SNAP NUT M5	1	PC.
041			168849-5	CARBURETOR	1	PC.
		INC.		Item No. 170,171,174-179,184-189,191-210,213-217		
042			266421-8	TAPPING SCREW 3X10	1	PC.
043			346290-4	CONTACT SPRING	1	PC.
044			266651-1	TORX TAPPING SCREW 5.5X16	1	PC.
045			452023-8	HOOD	1	PC.
046			266607-4	TORX SOCKET HEAD BOLT M5X20	1	PC.
048			346306-5	COOLING PLATE	1	PC.
049			325939-9	CONNECTING LINK	1	PC.
050			346304-9	GASKET	1	PC.
051			266605-8	TORX SOCKET HEAD BOLT M5X16	2	PC.
052			168604-5	MUFFLER COMPLETE	1	PC.
		INC.		Item No. 53		
053			346294-6	SPARK ARRESTER SCREEN	1	PC.
054			266606-6	TORX SOCKET HEAD BOLT M5X40	1	PC.
055			266605-8	TORX SOCKET HEAD BOLT M5X16	2	PC.
056			196384-3	CYLINDER PISTON SET	1	PC.

Item No.	Type	Sub	Part No.	Description	Qty	Unit
		INC.	142136-0	CYLINDER COMPLETE (item no.56a)	1	PC.
057		INC.		Item No. 57		
			195760-8	PISTON SET	1	PC.
		INC.		Item No. 58-60		
058			325991-7	PISTON RING 38	1	PC.
059			325992-5	PISTON PIN 8	1	PC.
060			233988-1	RING SPRING 8	1	PC.
061			213084-1	OIL SEAL 12	1	PC.
062			211341-1	BALL BEARING 6201	1	PC.
063			212086-4	NEEDLE CAGE 810	1	PC.
064			197539-3	CRANK SHAFT SET	1	PC.
		INC.		Item No. 61,62,65,66		
065			211341-1	BALL BEARING 6201	1	PC.
066			213084-1	OIL SEAL 12	1	PC.
067	1		424339-1	CRANK CASE SEALING	1	PC.
	2		424872-3	CRANK CASE SEALING	1	PC.
068			318633-0	CRANKCASE UNDERSIDE	1	PC.
069			168823-3	TANK CAP COMPLETE	1	PC.
		INC.		Item No. 70		
070			213080-9	O RING 29.5	1	PC.
072			266651-1	TORX TAPPING SCREW 5.5X16	2	PC.
073			234189-4	COMPRESSION SPRING 12	1	PC.
074			816917-5	INDICATION LABEL	1	PC.
075			452025-4	CHOKE LEVER	1	PC.
076			452022-0	THROTTLE LINKAGE	1	PC.
077			266608-2	TORX TAPPING SCREW 5X40	4	PC.
078			325946-2	BUSH 6	4	PC.
079			234189-4	COMPRESSION SPRING 12	1	PC.
080			266651-1	TORX TAPPING SCREW 5.5X16	2	PC.
081			234189-4	COMPRESSION SPRING 12	1	PC.
082			266651-1	TORX TAPPING SCREW 5.5X16	2	PC.
083			266651-1	TORX TAPPING SCREW 5.5X16	2	PC.
084			168504-9	VENT VALVE	1	PC.
086			346385-3	HEAT PROTECTION FOIL	1	PC.
087			444042-8	ISOLATING TUBE 6-80	1	PC.
088			424522-0	PLUG CAP	1	PC.
090			452670-5	ISOLATING WASHER	2	PC.
091			126270-4	IGNITION COIL ASSEMBLY	1	PC.
		INC.	326210-4	TERMINAL SPRING	1	PC.
		INC.		Item No. 87,88		
092			266631-7	TORX SOCKET HEAD BOLT M5X20	2	PC.
093			168601-1	CABLE HARNESS	1	PC.
094			266651-1	TORX TAPPING SCREW 5.5X16	3	PC.
095			808L85-0	MODEL NO. LABEL F/EA3201SRDB	1	PC.
096			161327-4	STARTER COMPLETE ORANGE	1	PC.
		INC.		Item No. 97-99,101-105,141		
097			453783-5	STARTER GRIP	1	PC.
098			267847-7	SQUARE WASHER 4	1	PC.
101			455919-2	REEL	1	PC.
102			234253-1	TORSION SPRING 20	1	PC.
103			453786-9	CAM PLATE	1	PC.
104			266777-9	TAPPING SCREW 5X12	1	PC.
105			452026-2	AIR GUIDE PLATE	1	PC.
106			264053-5	HEX. NUT M8X1	1	PC.
107			267822-3	SPRING WASHER 8	1	PC.
108			140480-9	FLYWHEEL COMPLETE	1	PC.
		INC.		Item No. 109		



Item No.	Type	Sub	Part No.	Description	Qty	Unit
109			195761-6	RATCHET SET	2	PC.
110			452032-7	HAND GUARD	1	PC.
111		2	818L12-9	CAUTION LABEL	1	PC.
112			266627-8	TORX TAPPING SCREW 4.7X16	1	PC.
113			267066-5	FLAT WASHER 5	1	PC.
114			313212-9	HAND GUARD GUIDE	1	PC.
115			234210-9	COMPRESSION SPRING 3	1	PC.
116			231868-5	TENSION SPRING 10	1	PC.
117			163500-2	LINK PLATE COMPLETE	1	PC.
118			325947-0	BUSH 6	2	PC.
119			346299-6	SPACER SHEET METAL	1	PC.
120			961011-9	STOP RING E-4	1	PC.
121		1	452033-5	* BRAKE COVER	1	PC.
		2	458425-6	* BRAKE COVER	1	PC.
122			266421-8	TAPPING SCREW 3X10	2	PC.
123			452035-1	PUMP DRIVE	1	PC.
124			168645-1	OIL SUCTION LINE COMPLETE	1	PC.
		INC.		Item No. 125,126		
125			234207-8	COMPRESSION SPRING 6	1	PC.
126			452666-6	NIPPLE	1	PC.
127			424342-2	OIL PRESSURE LINE	1	PC.
128			161346-0	OIL PUMP COMPLETE	1	PC.
130			266627-8	H.L. TAPPING SCREW 4.7X16	1	PC.
131			267430-0	FLAT WASHER 10	1	PC.
132			267431-8	FLAT WASHER 10	1	PC.
133			168607-9	CLUTCH COMPLETE	1	PC.
		INC.		Item No. 134		
134			231873-2	TENSION SPRING 5	2	PC.
135		2	140A30-6	CLUTCH DRUM ASSEMBLY	1	PC.
		3	140M30-8	CLUTCH DRUM COMPLETE	1	PC.
136			267833-8	CUP WASHER 8	1	PC.
137			259033-4	RETAINING RING E TYPE 6	1	PC.
138		1	346298-8	* BRAKE BAND	1	PC.
		2	347363-6	* BRAKE BAND	1	PC.
139		2	140A08-9	ENGINE HOUSING COMPLETE TLC, ORANGE	1	PC.
141			195955-3	REWIND SPRING SET	1	PC.
151			142782-9	SPROCKET GUARD TLC COMPLETE, ORANGE	1	PC.
		INC.		Item No. 152-158,160-168,218		
152			266007-8	TAPPING SCREW BIND PT 3X10	1	PC.
153			346309-9	GUIDE PLATE	1	PC.
154			266007-8	TAPPING SCREW BIND PT 3X10	1	PC.
155			417403-5	COVER	1	PC.
156			324068-5	ADJUST PIN	1	PC.
157			226681-4	HELICAL GEAR 17	1	PC.
158			226534-7	HELICAL GEAR 8	1	PC.
159			346518-0	GUIDE PLATE	1	PC.
160			892502-8	INDICATION LABEL	1	PC.
161			233033-2	COMPRESSION SPRING 4	1	PC.
162			216008-6	STEEL BALL 4	1	PC.
163			419233-0	DIAL 40	1	PC.
164			253874-0	FLAT WASHER 4	1	PC.
165			915106-0	BINDING HEAD SCREW M4X8	1	PC.
166			264099-1	HEX. NUT M8-13	1	PC.
167			231025-5	COMPRESSION SPRING 8	1	PC.
168			195764-0	WING GRIP SET	1	PC.
170			ZJ00000020	SCREW, PUMP COVER	1	PC.
171			ZJ00000004	COVER KIT, PUMP	1	PC.
174			ZJ00000023	SCREW	1	PC.

Item No.	Type	Sub	Part No.	Description	Qty	Unit
175			ZJ00000025	LEVER,CHOKE	1	PC.
176			ZJ00000040	SPRING, RETURN	1	PC.
177			ZJ00000015	THROTTLE SHAFT ASSY	1	PC.
178			ZJ00000034	SPRING,THROTTLE RETURN	1	PC.
179			ZJ00000026	SCREW, IDLE MIXTURE	1	PC.
184			ZJ00000024	VALVE,CHOKE	1	PC.
185			ZJ00000010	SPRING, METERING LEVER	1	PC.
186			ZJ00000006	LEVER	1	PC.
187			ZJ00000008	PIN	1	PC.
188			ZJ00000007	VALVE, INLET NEEDLE	1	PC.
189			ZJ00000009	SCREW (METERING LEVER PIN)	1	PC.
191			ZJ00000028	COVER,METERING	1	PC.
192			ZJ00000013	DIAPHRAGM ASS'Y,METERING	1	PC.
193			ZJ00000011	GASKET,METERING CHAMBER	1	PC.
194			ZJ00000012	SHAFT ASSY,CHOKE	1	PC.
195			ZJ00000033	WASHER	1	PC.
196			ZJ00000031	LEVER,CHOKE	1	PC.
197			ZJ00000032	SPRING,CHOKE RETURN	1	PC.
198			ZJ00000017	E-RING	1	PC.
199			ZJ00000022	LEVER,THROTTLE	1	PC.
200			ZJ00000073	SPRING	1	PC.
201			ZJ00000005	PLUNGER KIT	1	PC.
202			ZJ00000036	PLUG,ACC POCKET	1	PC.
203			ZJ00000003	STRAINER	1	PC.
204			ZJ00000030	VALVE,THROTTLE	1	PC.
205			ZJ00000029	DIAPHRAGM, PUMP	1	PC.
206			ZJ00000016	GASKET, PUMP	1	PC.
207			ZJ00000014	SCREW (WITH SERRATION)	2	PC.
208			ZJ00000001	SCREW	1	PC.
209			ZJ00000023	SCREW	1	PC.
210			ZJ00000001	SCREW	1	PC.
212			424519-9	HOOD CAP	1	PC.
214			ZJ00000018	NOZZLE ASS'Y,CHECK VALVE	1	PC.
215			ZJ00000021	COLLAR	1	PC.
216			ZJ00000035	RETAINER	2	PC.
217			ZJ00000037	STRAINER	1	PC.
218			267858-2	LOCK WASHER 8	1	PC.
E05			819X23-9	GASEMISSION APPROVAL LABEL 2019	1	PC.

**ACCESSORIES**

- See Catalogue or visit [www.makita.ca](http://www.makita.ca) for more accessories information -

A01			165202-6	GUIDE BAR 16", 3/8", .050"	1	PC.
A02			419560-5	CHAIN COVER 16", 3/8"	1	PC.
A03	3		196444-1	3/8" LOW KICKBACK SAFETY CHAIN 50G 16"	1	PC.
	4		196208-3	3/8" CHAIN 50G 16"	1	PC.
A04			782026-1	UNIVERSAL WRENCH 13/16	1	PC.
A05			783012-5	SCREWDRIVER	1	PC.
A06			0650109950	SPARK PLUG, CMR6A	1	PC.
A07			444038-9	STARTER ROPE	1	PC.
A08			346301-5	SPIKE BAR	1	PC.

**SERVICE CHANGES**

**1. Changes on Cylinder Piston Set**

(TI# B9729)

<b>Item No.</b>	<b>Description</b>	<b>Type 1</b>	<b>Type 2</b>
121	Brake Cover	452033-5	458425-6
138	Brake Band	346298-8	347363-6

Above parts are interchangeable as a set